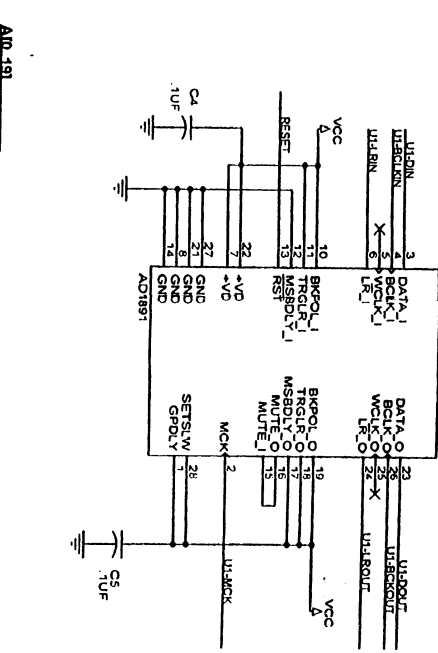
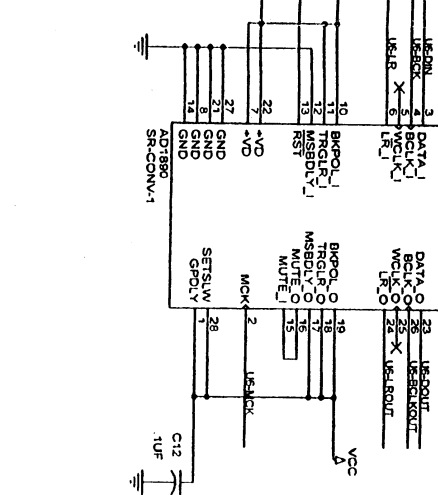
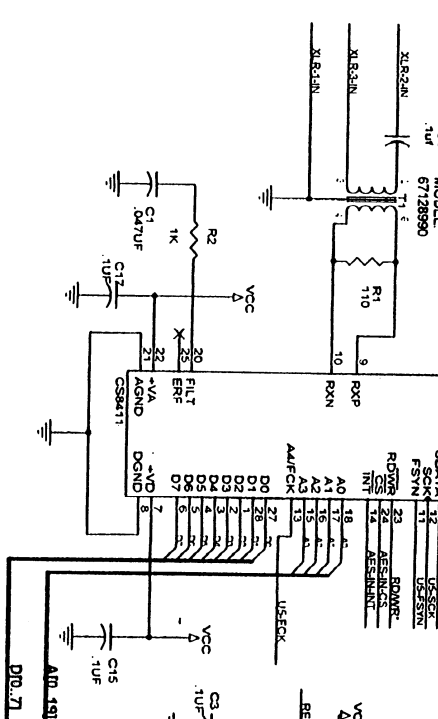
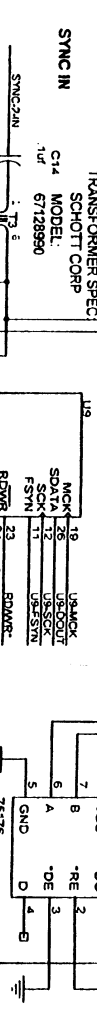
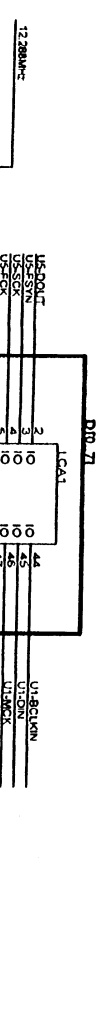
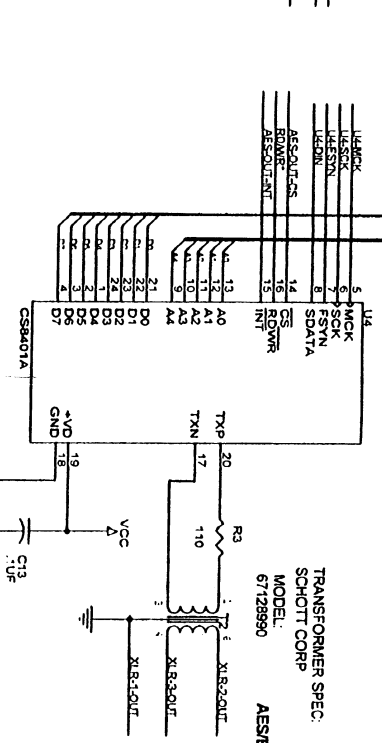
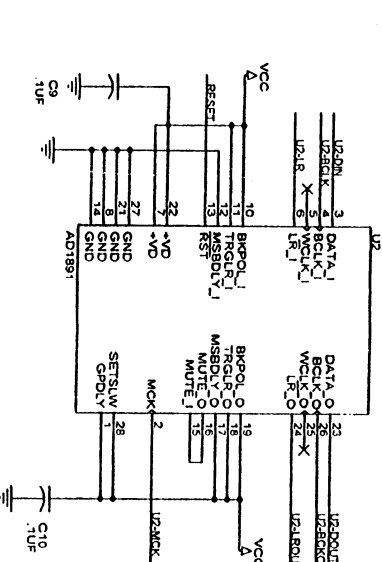
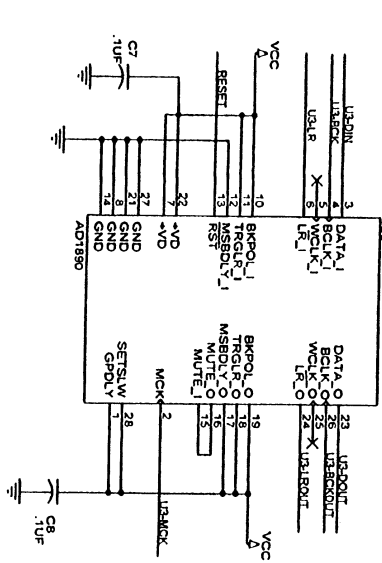


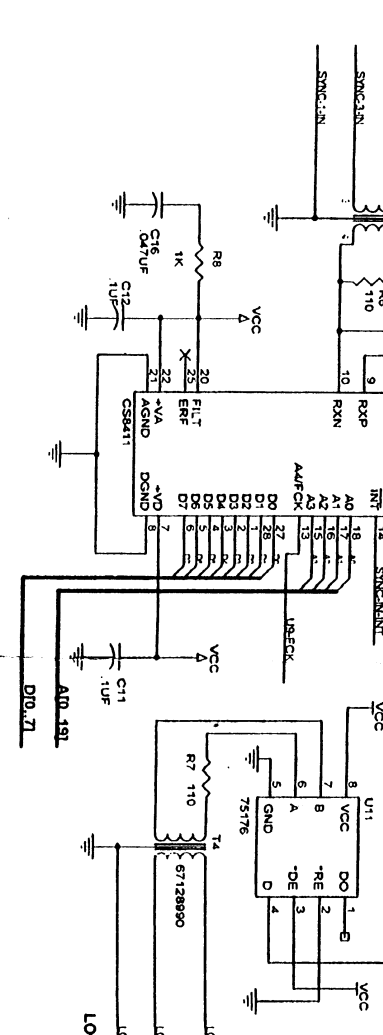
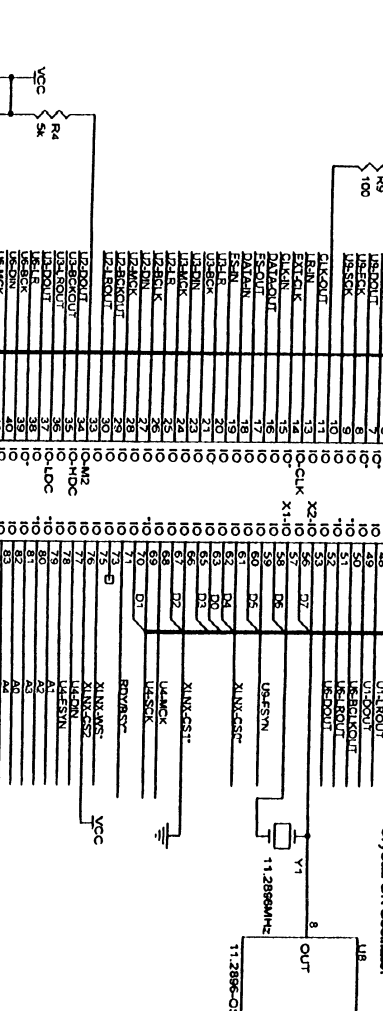
**AESIEBU IN**



15	B	ASSULTS
16	B	ASSULTS
17	B	ASSULTS
18	B	ASSULTS
19	B	ASSULTS
20	B	ASSULTS
21	B	ASSULTS
22	B	ASSULTS
23	B	ASSULTS
24	B	ASSULTS
25	B	ASSULTS
26	B	ASSULTS
27	B	ASSULTS



**Crystal OR Oscillator**



**TRANSFORMER SPEC: SCHOTT CORP MODEL: 67128990**



**TRANSFORMER SPEC: SCHOTT CORP MODEL: 67128990**



**TRANSFORMER SPEC: SCHOTT CORP MODEL: 67128990**

